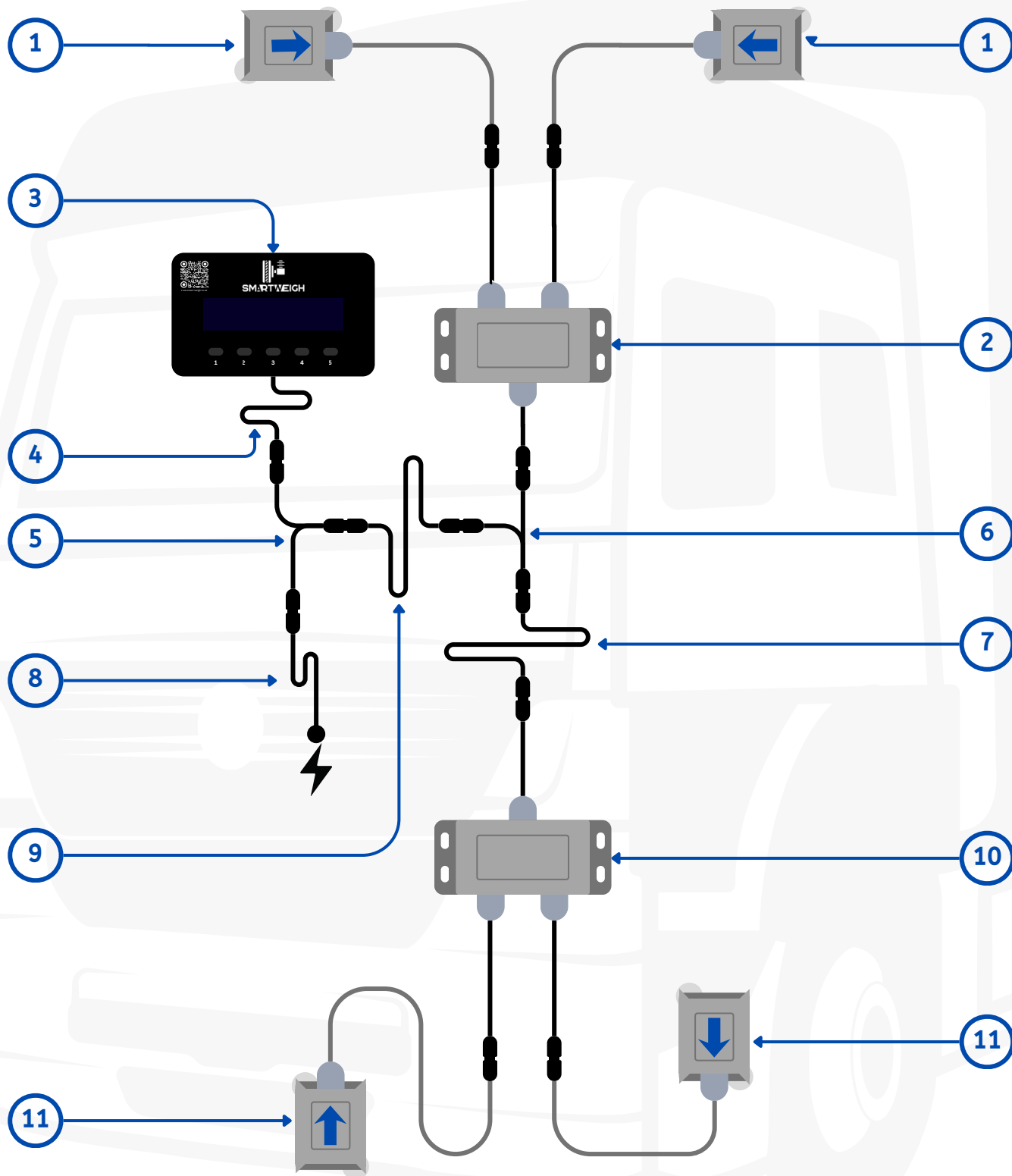
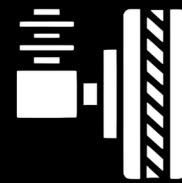


Typical Van System Layout - Mechanical Rear & Front



CONTACT US:  +44 (0)1603 485 153



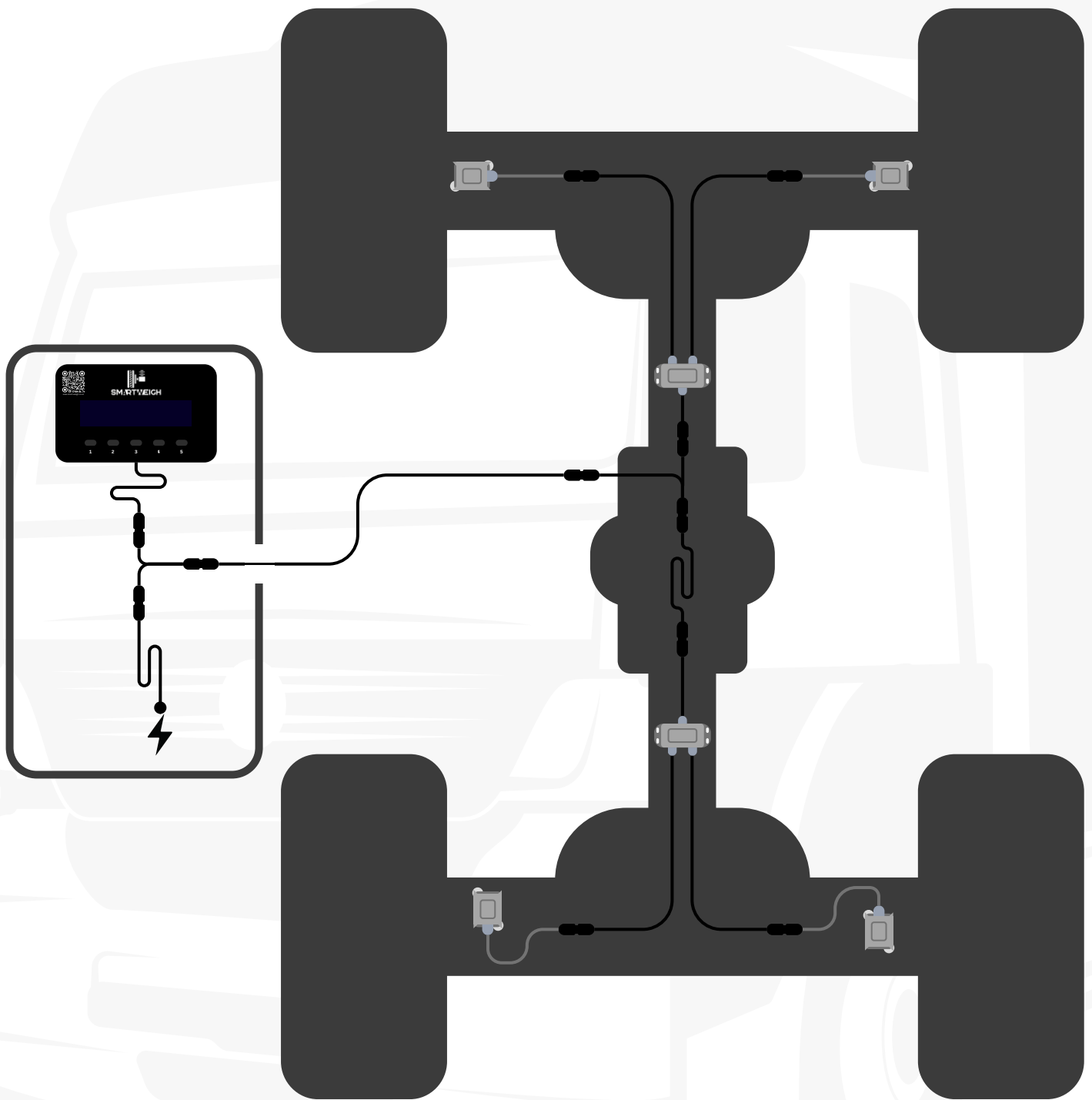
Typical Van System Layout - Mechanical Rear & Front

No.	Description
1	Front Tilt Sensors
2	Front Tilt Sensor Power Unit
3	In-Cab Weight Monitor
4	In-Cab Weight Monitor Power Cable
5	3 Way Y Connector - 3 Male (In-Cab)
6	3 Way Y Connector - 2 Male 1 Female (External)
7	3M Extension Cable To 3Male Y Connector
8	System Bus Power Cable (12/24V, Fused 5Amp)
9	3M Bus Cable to 3Male Y Connector
10	Rear Tilt Sensor Power Unit
11	Rear Tilt Sensors

CONTACT US:  +44 (0)1603 485 153



Typical Van System Layout - Mechanical Rear & Front



CONTACT US:  +44 (0)1603 485 153